

## STANDARD DOCKER DIMENSIONS

### Length

- (a) Total Length of Standard Docker including rubber end stoppers is **2105mm**
  - Length of Standard Docker Plank excluding rubber end stoppers is **2080mm**
  - Length of rubber end stoppers (not pictured) is **25mm** (these can be removed if required)

### Width

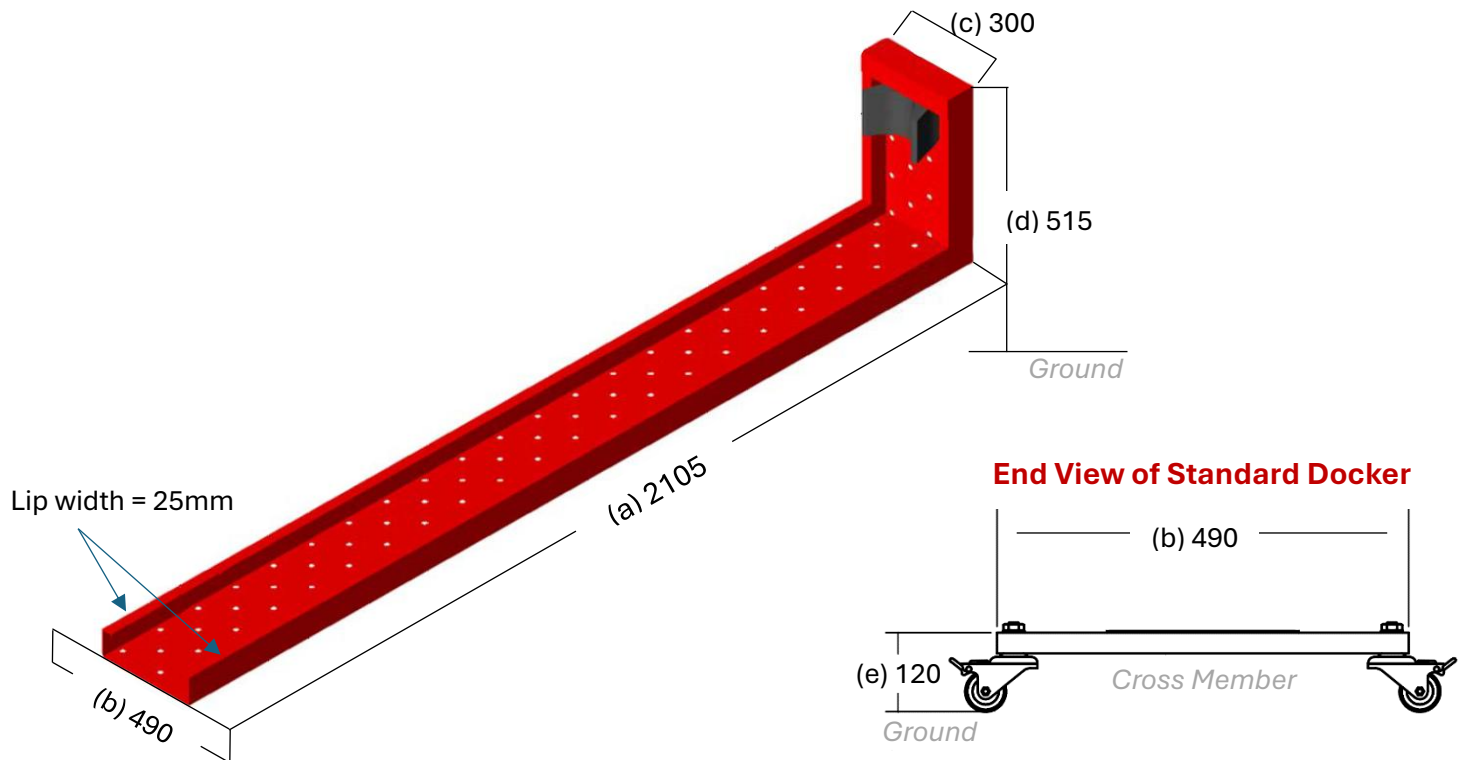
- (b) Total Width of Standard Docker including Cross Member/Wheels is **490mm**
- (c) Width of Docker plank is **300mm**

### Height

- (d) Total Height of Standard Docker from Ground to top of plank is **515mm**
- (e) Height from ground to bottom of motorcycle tyre (when loaded on plank) is **120mm**

### Weight

- Total Weight of Standard Docker (fully assembled, excluding bike) is **25.5kg**
- Total Moveable Load of Standard Docker (fully assembled, including Max. 250kg bike) is **275.5kg**



All dimensions are in millimetres (mm). All weights are in kilograms (kg). Pictures are for illustrative purposes only.

Moto Stacker Pty Ltd  
ABN 77 644 940 385

STD-DIMENSIONS-V3.0-01102025

[www.motostacker.com](http://www.motostacker.com)  
[info@motostacker.com](mailto:info@motostacker.com)

Moto Stacker is a Registered Trademark of Horvat Nominees Pty Ltd.  
All Product Designs are internationally Registered and Patent Pending.